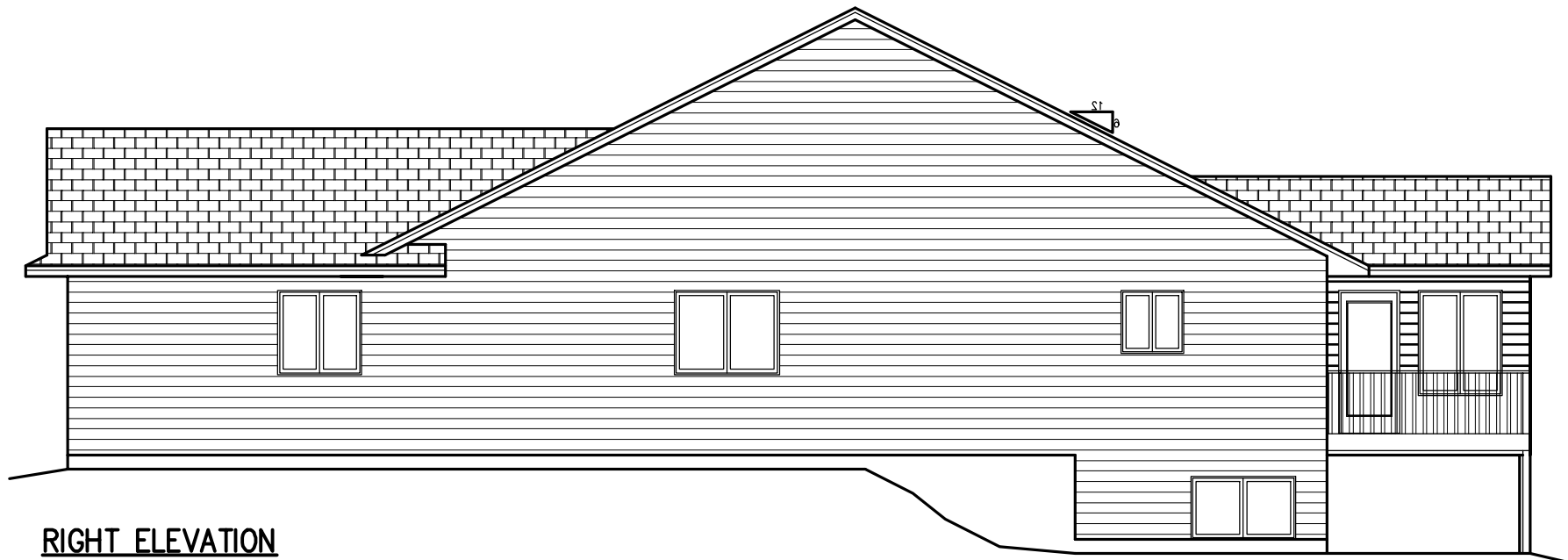


FRONT ELEVATION
1/4"=1'-0"



REAR ELEVATION
1/4"=1'-0"

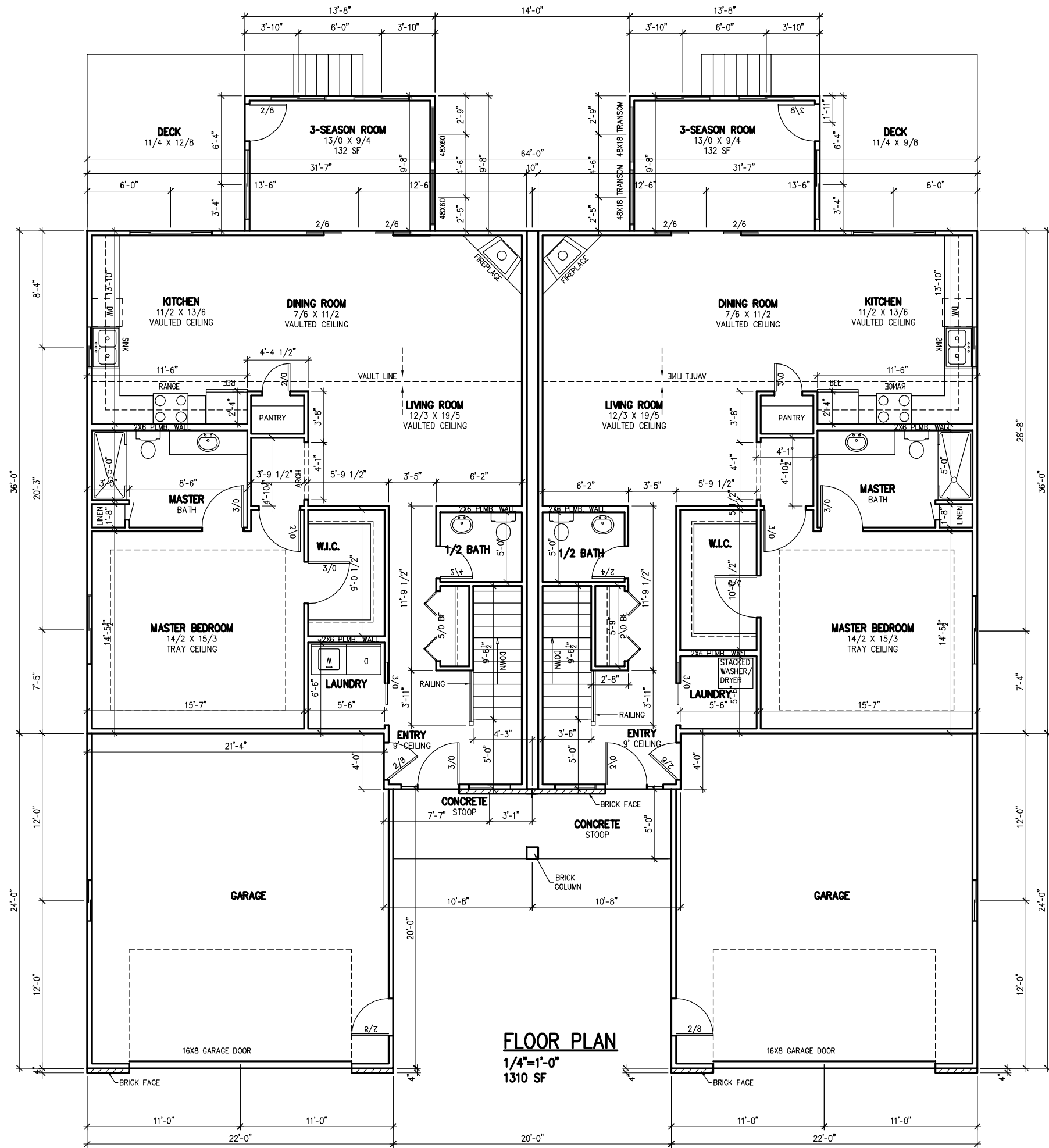


RIGHT ELEVATION
1/4"=1'-0"



LEFT ELEVATION
1/4"=1'-0"

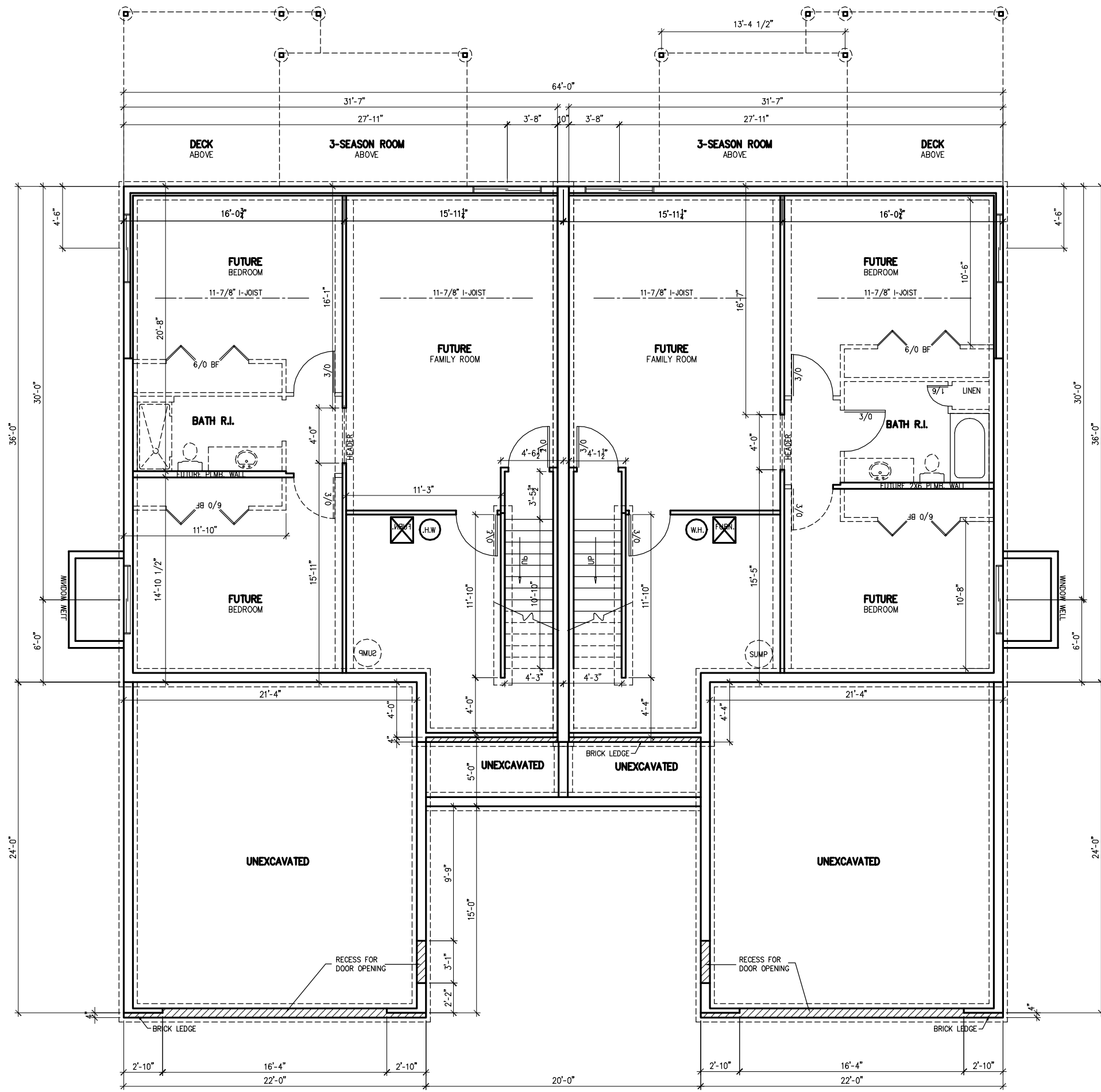




FLOOR PLAN
 1/4" = 1'-0"
 1310 SF

ALTHOUGH EVERY POSSIBLE EFFORT IS MADE TO INSURE THE ACCURACY OF DIMENSIONS AND OPENINGS, IT IS THE CONTRACTOR'S RESPONSIBILITY TO CHECK AND CONFIRM ALL ROUGH OPENINGS AND OTHER DIMENSIONS FOR ACCURACY.
 THESE PLANS DETAIL CONNECTIONS AND SPECIFIC STRUCTURAL MEMBERS OR NON-STRUCTURAL APPLICATIONS. THE CONTRACTOR SHALL VERIFY THE EXISTING CONDITIONS AND MAKE ANY NECESSARY ADJUSTMENTS TO THE PLANS TO REFLECT THE ACTUAL CONDITIONS.

FOUNDATION PLAN
 1/4"=1'-0"
 855 SF FINISHED FLOOR



ALTHOUGH EVERY POSSIBLE EFFORT IS MADE TO INSURE THE ACCURACY OF DIMENSIONS AND OPENINGS, IT IS THE CONTRACTOR'S RESPONSIBILITY TO CHECK AND CONFIRM ALL DIMENSIONS AND OTHER DIMENSIONS FOR ACCURACY.
 THESE PLANS DETAIL CONNECTIONS AND SPECIFIC STRUCTURAL MEMBERS OR NON-STRUCTURAL APPLICATIONS. THE COMPANY ASSUMES NO LIABILITY FOR ANY DAMAGE TO PROPERTY OR PERSONS ARISING FROM THE USE OF THESE PLANS UNLESS REPRESENTED BY THE DRAWING OR SPECIFICATIONS.

ROOF
 ASPHALT SHINGLES
 15# ASPHALT FELT
 7/16" OSB ROOF SHEATHING
 ROOF TRUSSES W/ MIN 6" HEAL
 R-44 CEILING INSULATION

STYLE "D" ROOF EDGE
 1X6 FASCIA
 ALUMINUM FASCIA AND
 VENTED SOFFIT SYSTEM

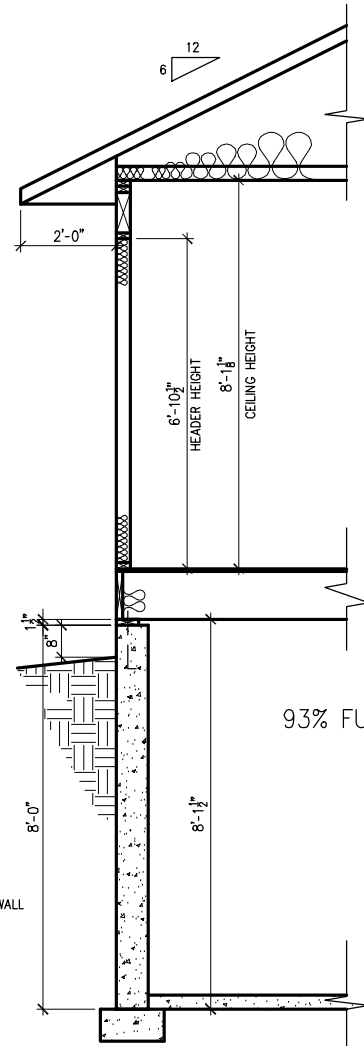
ALL WINDOWS
 .35 U VALUE

WALL
 SIDING
 HOUSEWRAP
 7/16" OSB WALL SHEATHING
 2X4 STUDS
 R-15 INSULATION
 4 MIL VAPOR BARRIER
 1/2" GYPSUM BOARD

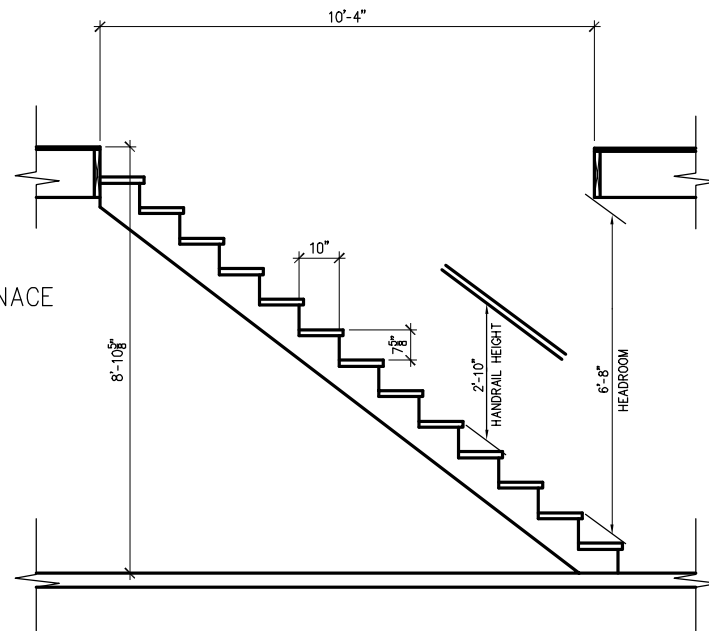
FLOOR
 11 7/8" TJI
 3/4" FLOOR SHEATHING

KNEE-WALL
 SIDING
 HOUSEWRAP
 7/16" OSB WALL SHEATHING
 2X4 STUDS
 R-15 INSULATION
 4 MIL VAPOR BARRIER
 1/2" GYPSUM BOARD
 1/2" ANCHOR BOLTS

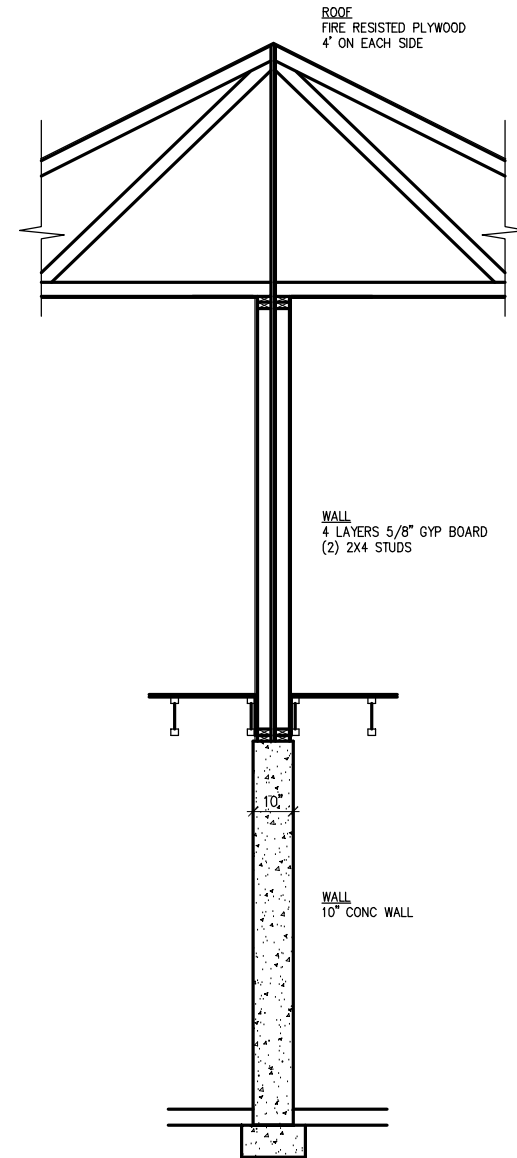
FOUNDATION WALL
 8" POURED CONCRETE FOUNDATION WALL
 16" X 8" CONCRETE FOOTING
 3 1/2" CONC FLOOR SLAB



SECTION
 1/2"=1'-0"



STAIR SECTION
 1/2"=1'-0"



PARTY WALL
 1/2"=1'-0"